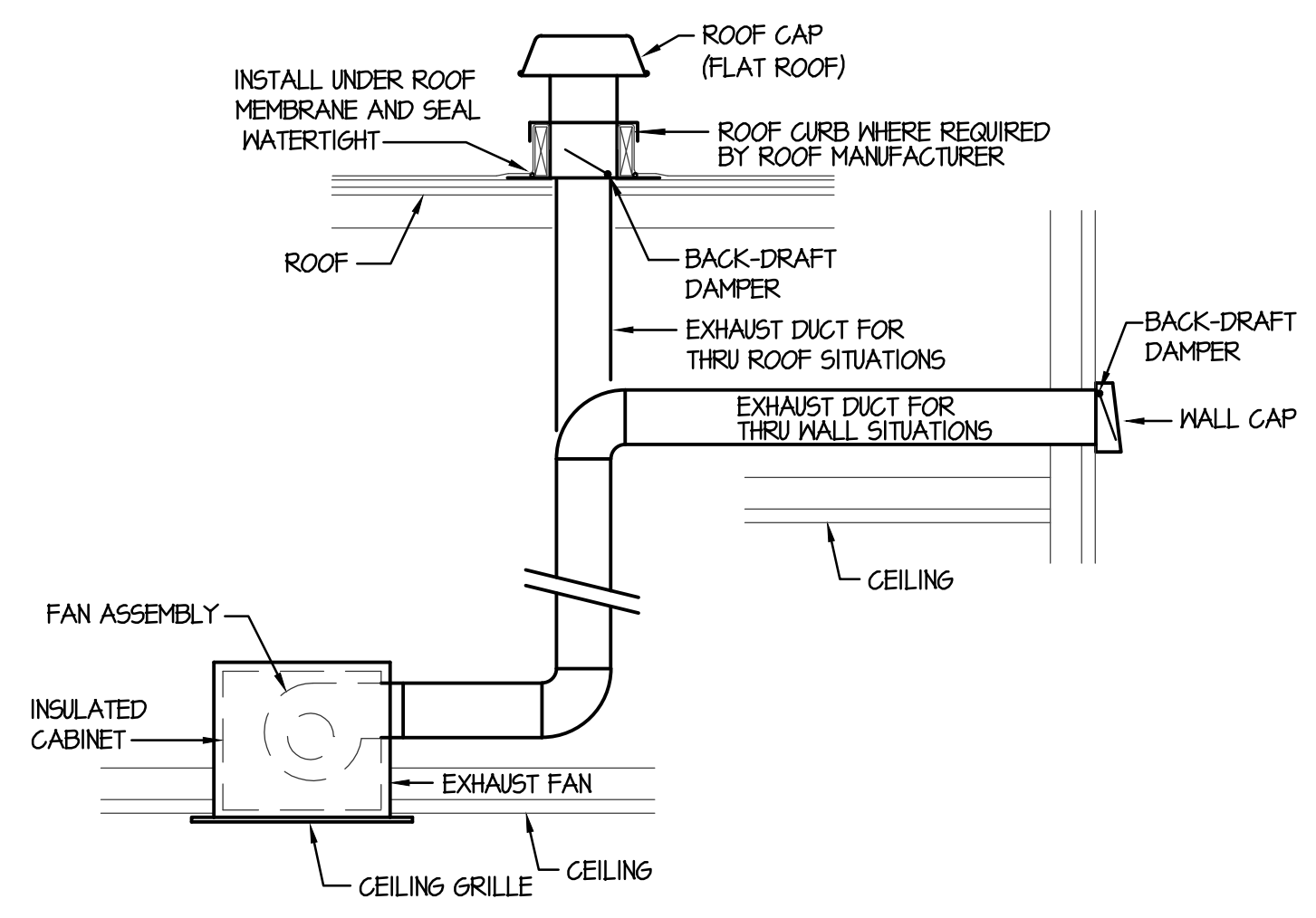
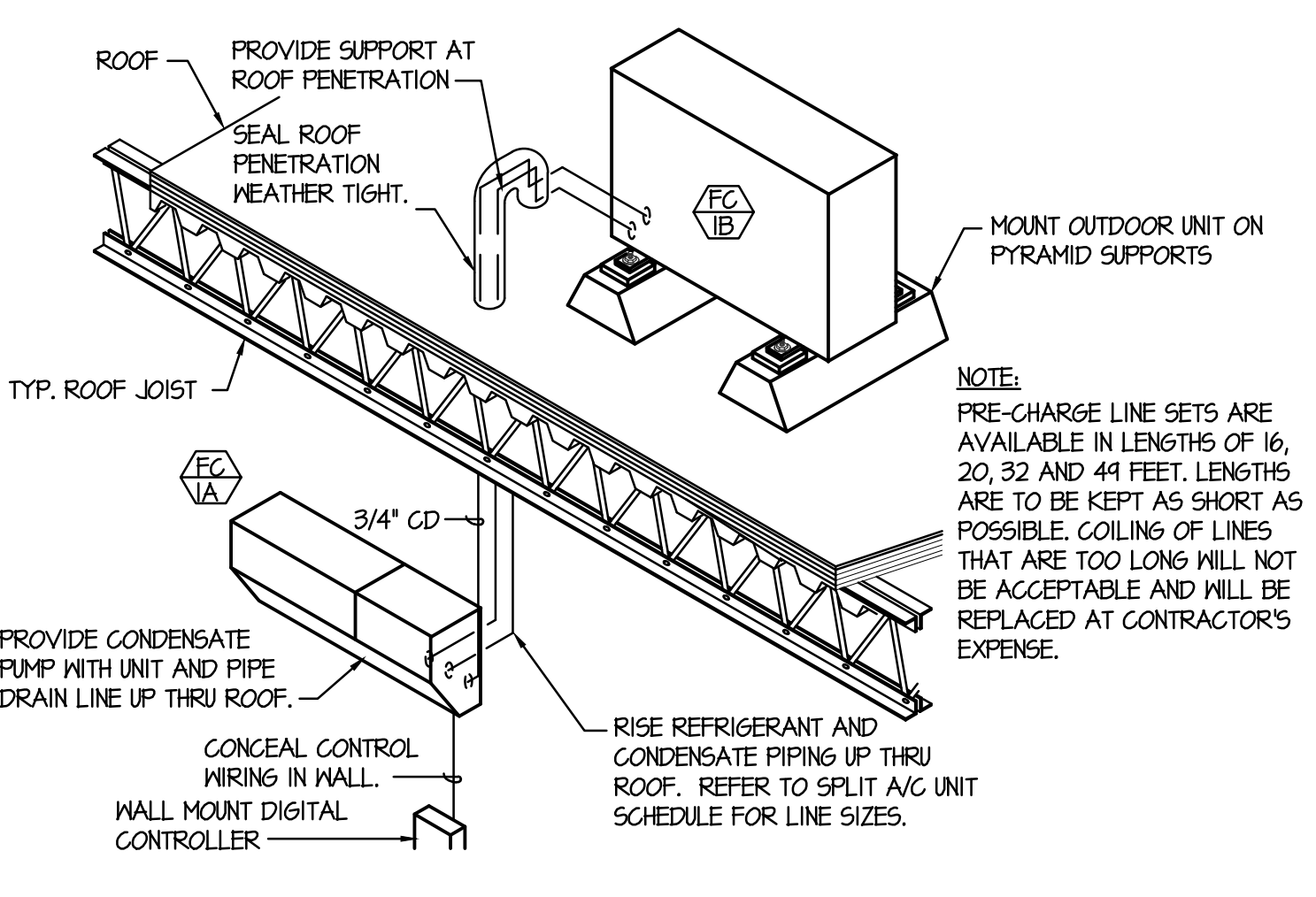


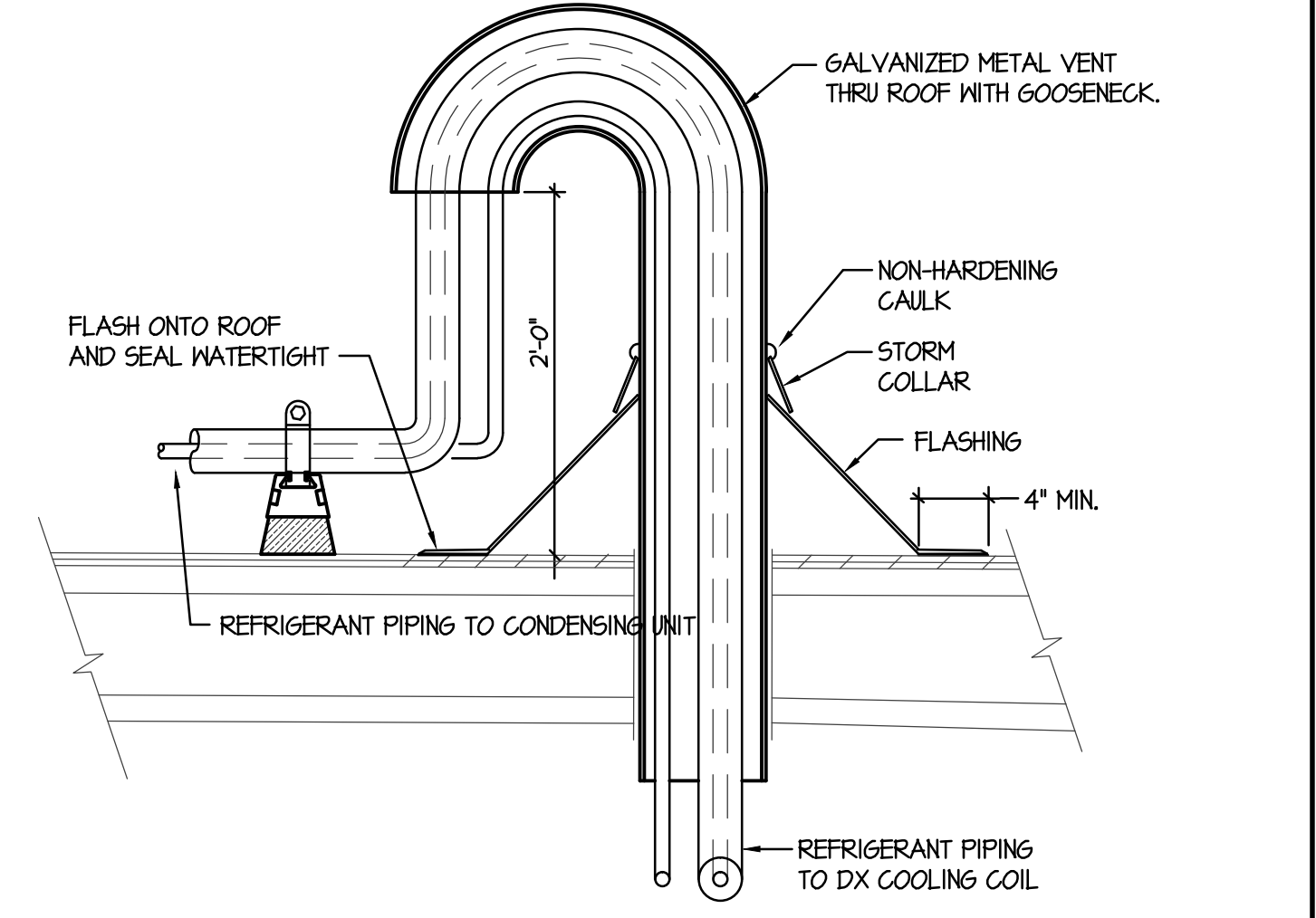
A RECTANGULAR DUCT CONNECTION NO SCALE



B CEILING MOUNTED EXHAUST FAN DETAIL NO SCALE



C FAN COIL & REFRIGERANT PIPING DETAIL NO SCALE



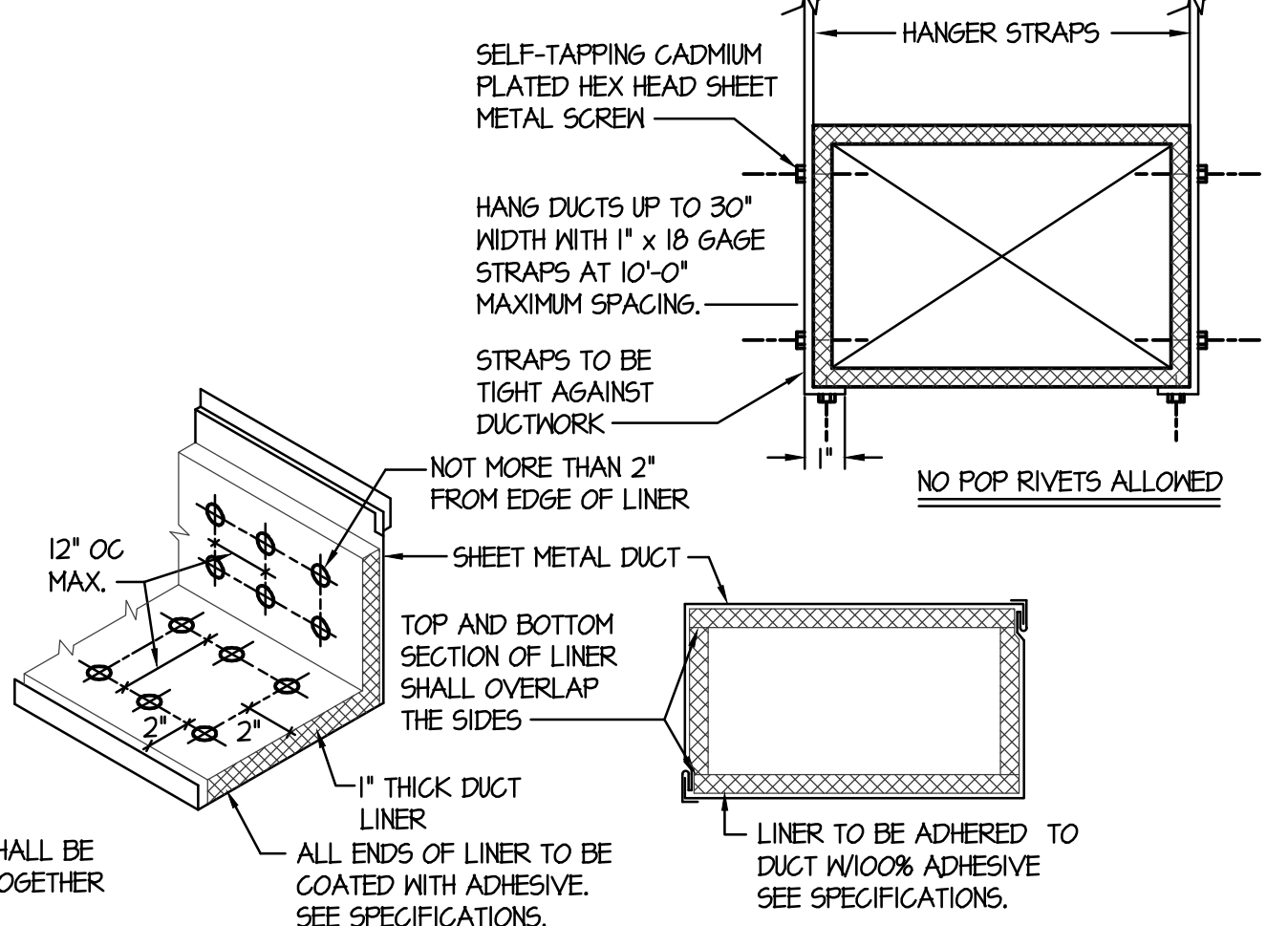
D PIPING THRU ROOF DETAIL NO SCALE

DIMENSION OF LONGEST SIDE, INCHES	SHEET METAL GAGE (ALL FOUR SIDES)	TRANSVERSE REINFORCING (1)	
		MINIMUM REINFORCING ANGLE SIZE AND MAXIMUM LONGITUDINAL SPACING BETWEEN TRANSVERSE JOINTS 4\"/>	
UP THRU 12	26	NONE REQUIRED	26
13 - 18	24	NONE REQUIRED	24
19 - 30	24	1\"/>	

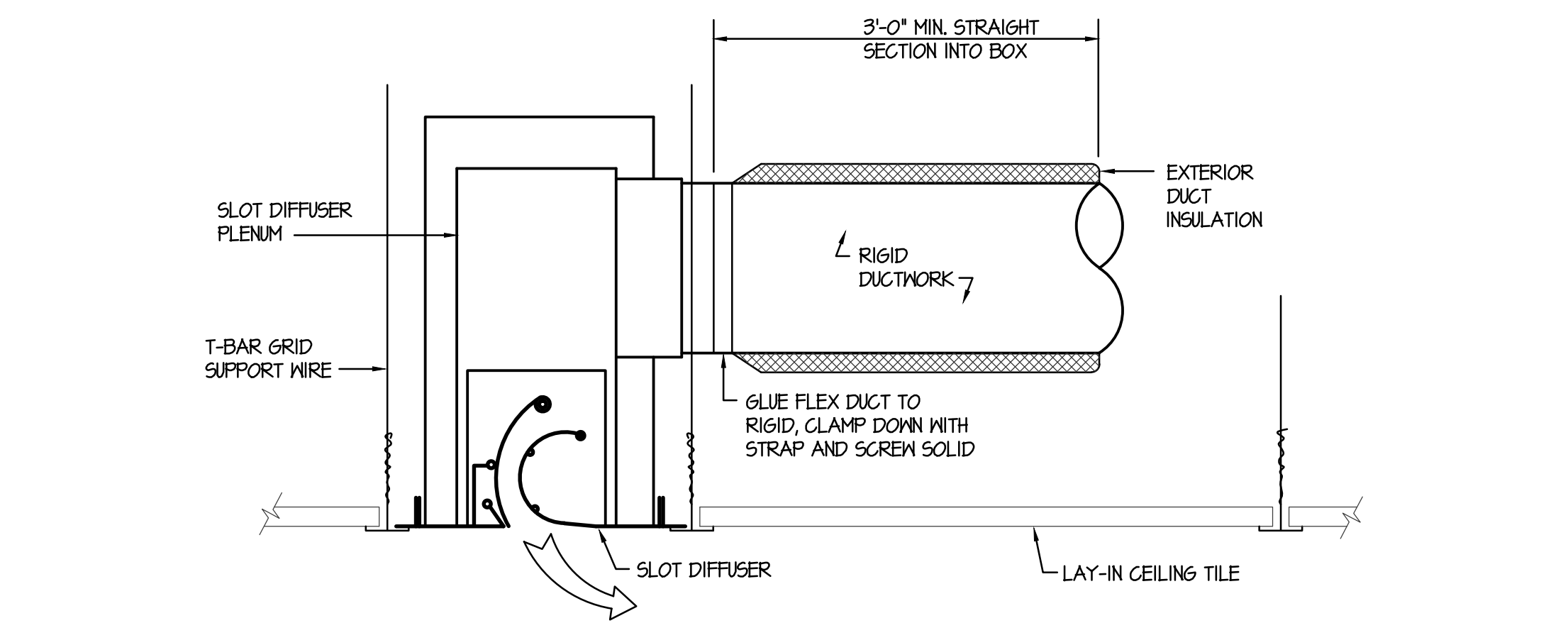
(1) TRANSVERSE REINFORCING SIZE IS DETERMINED BY DIMENSION OF SIDE TO WHICH ANGLE IS APPLIED.

METAL FASTENERS - O MARK INSULPINS, DURO DYNE FASTENERS OR GRIPNAILS.

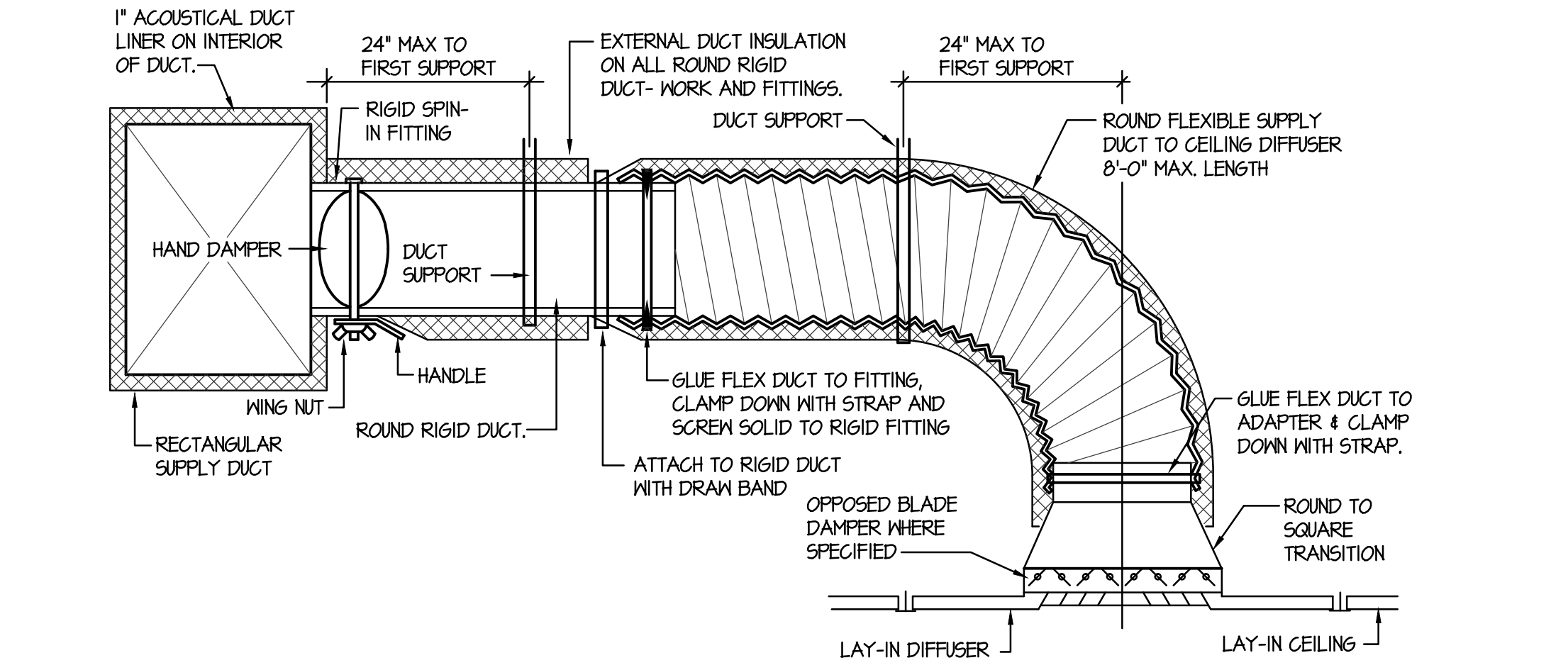
GRIP NAILS SHALL BE INSTALLED BY GRIPNAIL AIR HAMMER OR BY AUTOMATIC FASTENER EQUIP.



E DUCT CONSTRUCTION AND HANGER DETAIL NO SCALE



F TYPICAL SLOT DIFFUSER INSTALLATION NO SCALE



G CEILING DIFFUSER WITH FLEXIBLE DUCT DETAIL NO SCALE

SYM.	SIZE	THROW	CFM	CONSTR.	FINISH	BRANCH DUCT	REMARKS
CD-1	12 x 12	4 WAY	200-450	STEEL	WHITE	10\"/>	
CD-2	12 x 12	4 WAY	50-200	STEEL	WHITE	8\"/>	
CD-3	9 x 9	3 WAY	50-200	STEEL	WHITE	8\"/>	
CD-4	36 x 2-5/8	-	200	STEEL	WHITE	8\"/>	
SR-1	12 x 8	-	300-400	STEEL	WHITE	12 x 8	PRICE S200L WITH NARROW FRAME
RG-1	12 x 12	-	50-400	STEEL	WHITE	12 x 8	PRICE SERIES S35 IN 24x24 LAY-IN MODULE
RG-2	18 x 18	-	400-900	STEEL	WHITE	18 x 10	PRICE SERIES S35 IN 24x24 LAY-IN MODULE
RG-3	12 x 12	-	50-400	STEEL	WHITE	10\"/>	
RG-4	18 x 18	-	400-900	STEEL	WHITE	14\"/>	

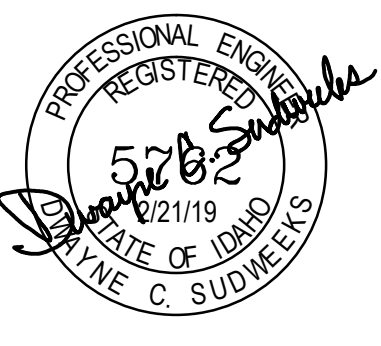
SYMBOL	DESCRIPTION	SYMBOL	DESCRIPTION
AFF	ABOVE FINISHED FLOOR	[Symbol]	HORIZONTAL FURNACE
CD	CONDENSATE DRAIN PIPING	[Symbol]	HORIZONTAL UNIT HEATER
CO	CLEANOUT	[Symbol]	RECTANGULAR SUPPLY AND RETURN AIR DUCT TAKE-OFF
COTG	CLEANOUT TO GRADE	[Symbol]	HAND DAMPER
CR	CONDENSATE RETURN	[Symbol]	ROUND BRANCH DUCT WITH HAND DAMPER
CW	COLD WATER PIPING	[Symbol]	DUCT TRANSITION
HW	HOT WATER PIPING	[Symbol]	TURNING VANES
HWRC	HOT WATER RECIRC. PIPING	[Symbol]	ROUND SPIRAL DUCTWORK
LPG	LIQUID PROPANE GAS	[Symbol]	INSULATED FLEXIBLE DUCT
OA	OUTSIDE AIR	[Symbol]	SIDEWALL REGISTER (SUPPLY AIR)
RA	RETURN AIR	[Symbol]	SIDEWALL GRILLE (RETURN AIR)
RS	ROOM SENSOR	[Symbol]	CEILING DIFFUSER
SA	SUPPLY AIR	[Symbol]	RETURN AIR GRILLE
VTR	VENT THRU ROOF	[Symbol]	EXHAUST AIR GRILLE
V	VENT PIPING	[Symbol]	ROOF TOP EXHAUST FAN
W	WASTE PIPING	[Symbol]	
WCO	WALL CLEANOUT	[Symbol]	
[Symbol]	BALL VALVE	[Symbol]	
[Symbol]	CHECK VALVE	[Symbol]	
[Symbol]	GATE VALVE	[Symbol]	
(1)	PLAN NOTE	[Symbol]	
[Symbol]	EQUIPMENT SYMBOL	[Symbol]	
[Symbol]	MOTORIZED DAMPER	[Symbol]	
[Symbol]	CEILING MOUNTED EXHAUST FAN	[Symbol]	
[Symbol]		[Symbol]	

SYM.	CFM	SP.	BLOWER H.P.	CHAR.	MCA	WEIGHT	GAS CONN.	HEATING				COOLING				REMARKS
								MBH IN	MBH OUT	EAT	LAT	MBH	EAT	WB	WB	
RT-1	1600	1.0"	-	208/60/3	25.4	1200#	3/4"	120	98.4	65°F	112°F	48.0	95°F	67°F	TRANE MODEL YCA-248-E3 WITH FULL ECONOMIZER AND COIL GUARDS. MOUNT ON ROOF CURB.	
RT-2	1980	1.0"	-	208/60/3	28.3	1200#	3/4"	130	98.4	65°F	106°F	60.0	95°F	67°F	TRANE MODEL YCA-260-E3 WITH FULL ECONOMIZER AND COIL GUARDS. MOUNT ON ROOF CURB.	
RT-3	1800	1.0"	-	208/60/3	28.3	1200#	3/4"	130	98.4	65°F	106°F	60.0	95°F	67°F	TRANE MODEL YCA-260-E3 WITH FULL ECONOMIZER AND COIL GUARDS. MOUNT ON ROOF CURB.	
RT-4	3000	1.0"	-	208/60/3	41.9	1400#	3/4"	200	160	65°F	106°F	90.0	95°F	67°F	TRANE MODEL YHD-292-E3 WITH FULL ECONOMIZER AND COIL GUARDS. MOUNT ON ROOF CURB.	
RT-5	2400	1.0"	-	208/60/3	32.3	1400#	3/4"	150	120	65°F	104°F	72.0	95°F	67°F	TRANE MODEL YHD-272-E3 WITH FULL ECONOMIZER AND COIL GUARDS. MOUNT ON ROOF CURB.	
RT-6	3000	1.0"	-	208/60/3	41.9	1400#	3/4"	200	160	65°F	106°F	90.0	95°F	67°F	TRANE MODEL YHD-292-E3 WITH FULL ECONOMIZER AND COIL GUARDS. MOUNT ON ROOF CURB.	
RT-7	2800	1.0"	-	208/60/3	41.9	1400#	3/4"	200	160	65°F	109°F	90.0	95°F	67°F	TRANE MODEL YHD-292-E3 WITH FULL ECONOMIZER AND COIL GUARDS. MOUNT ON ROOF CURB.	

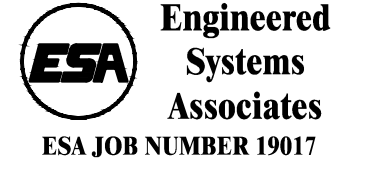
SYM.	TYPE	C.F.M.	S.P.E.	WATTS	CHAR.	R.P.M.	CONTROL	REMARKS
EF-1	CEILING MOUNTED	100	25"	87	120/60/1	640	WITH LIGHTS	TWIN CITY MODEL T100 WITH CEILING GRILLE, BACK-DRAFT DAMPER AND 6\"/>
EF-2	CEILING MOUNTED	100	25"	87	120/60/1	640	WITH LIGHTS	TWIN CITY MODEL T100 WITH CEILING GRILLE, BACK-DRAFT DAMPER AND 6\"/>
EF-3	CEILING MOUNTED	150	25"	100	120/60/1	710	TIMER SWITCH	TWIN CITY MODEL T150 WITH CEILING GRILLE, BACK-DRAFT DAMPER AND 6\"/>
EF-4	CEILING MOUNTED	100	25"	87	120/60/1	640	WALL SWITCH	TWIN CITY MODEL T100 WITH CEILING GRILLE, BACK-DRAFT DAMPER AND 10x3\"/>
EF-5	CEILING MOUNTED	100	25"	87	120/60/1	640	WALL SWITCH	TWIN CITY MODEL T100 WITH CEILING GRILLE, BACK-DRAFT DAMPER AND 10x3\"/>
EF-6	CEILING MOUNTED	100	25"	87	120/60/1	640	WALL SWITCH	TWIN CITY MODEL T100 WITH CEILING GRILLE, BACK-DRAFT DAMPER AND 10x3\"/>
EF-7	CEILING MOUNTED	100	25"	87	120/60/1	640	WALL SWITCH	TWIN CITY MODEL T100 WITH CEILING GRILLE, BACK-DRAFT DAMPER AND 6\"/>
EF-8	CEILING MOUNTED	100	25"	87	120/60/1	640	WALL SWITCH	TWIN CITY MODEL T100 WITH CEILING GRILLE, BACK-DRAFT DAMPER AND 6\"/>
EF-9	CEILING MOUNTED	150	25"	100	120/60/1	710	TIMER SWITCH	TWIN CITY MODEL T150 WITH CEILING GRILLE, BACK-DRAFT DAMPER AND 6\"/>
EF-10	CEILING MOUNTED	100	25"	87	120/60/1	640	WALL SWITCH	TWIN CITY MODEL T100 WITH CEILING GRILLE, BACK-DRAFT DAMPER AND 6\"/>
EF-11	CEILING MOUNTED	100	25"	87	120/60/1	640	WALL SWITCH	TWIN CITY MODEL T100 WITH CEILING GRILLE, BACK-DRAFT DAMPER AND 6\"/>
EF-12	CEILING MOUNTED	200	25"	127	120/60/1	740	COOLING STAT	TWIN CITY MODEL T200 WITH CEILING GRILLE, BACK-DRAFT DAMPER AND 6\"/>
EF-13	CEILING MOUNTED	150	25"	100	120/60/1	710	WALL SWITCH	TWIN CITY MODEL T150 WITH CEILING GRILLE, BACK-DRAFT DAMPER AND 6\"/>
EF-14	CEILING MOUNTED	150	25"	100	120/60/1	710	WALL SWITCH	TWIN CITY MODEL T150 WITH CEILING GRILLE, BACK-DRAFT DAMPER AND 6\"/>
EF-15	CEILING MOUNTED	100	25"	87	120/60/1	640	WALL SWITCH	TWIN CITY MODEL T100 WITH CEILING GRILLE, BACK-DRAFT DAMPER AND 6\"/>

INDOOR UNIT						OUTDOOR UNIT				REFRIG. LINES			
SYM.	CFM	BTU	CHAR.	MCA	COND.	SYM.	BTU	MCA	SEER	CHAR.	MANUFACTURER	LIQUID	SUCTION
EC-1A	600-700	30,000	208/60/1	1	3/4"	EC-1B	30,000	25	15.5	208/60/1	MITSUBISHI MODEL PKA-A30KA WITH WALL MOUNTED CONTROLLER AND CONDENSATE PUMP WITH LOW AMBIENT HARD-START KIT	3/8"	5/8"
EC-2A	600-700	30,000	208/60/1	1	3/4"	EC-2B	30,000	25	15.5	208/60/1	MITSUBISHI MODEL PKA-A30KA WITH WALL MOUNTED CONTROLLER AND CONDENSATE PUMP WITH LOW AMBIENT HARD-START KIT	3/8"	5/8"

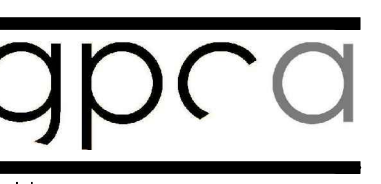
gpc architects
18 N. Main St., Ste. 200
Driggs, Idaho 83422
208.354.8036
www.gpcarchitects.com



Ownership & Use of Documents
Drawings and specifications, as instruments of professional service are and shall remain the property of the architect. These documents are not to be used in whole or in part for any project or purpose whatsoever, without the prior specific written authorization of GPC Architects PLLC.



GRAND PEAKS MEDICAL CLINIC
ST. ANTHONY, IDAHO



no.	description	date

project: 1804
date: 06/06/2019

MECHANICAL SCHEDULES AND DETAILS

sheet: